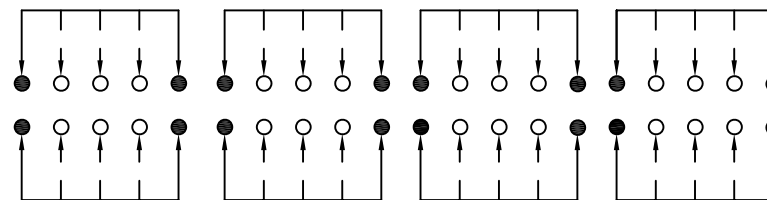
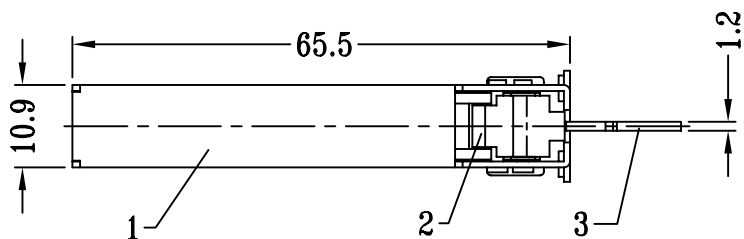
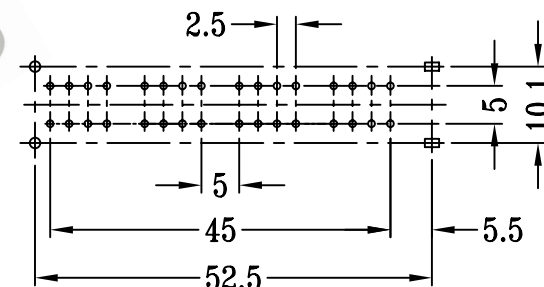
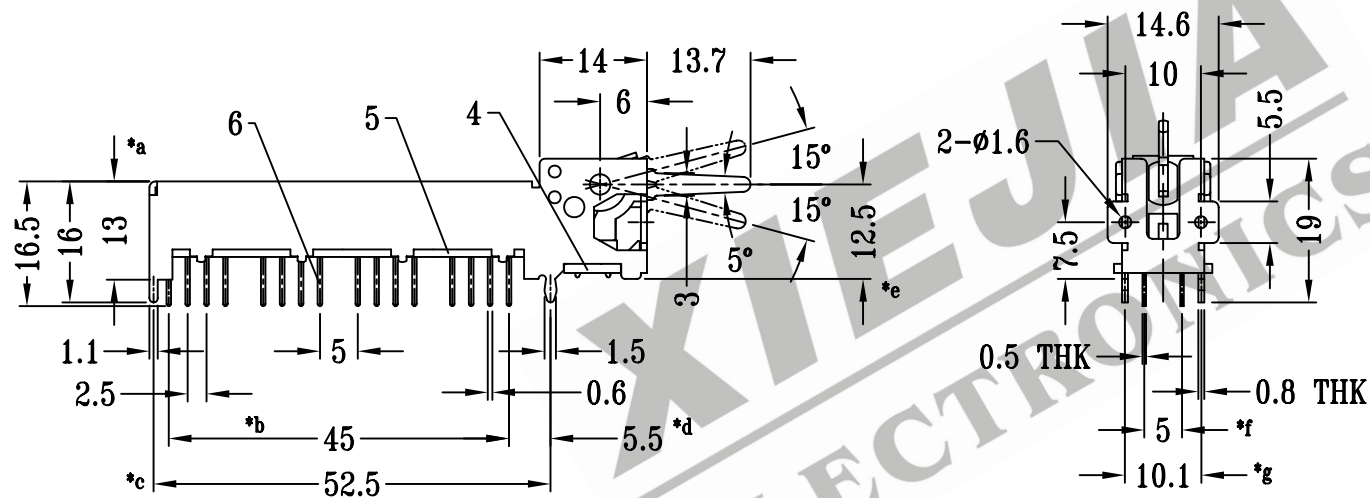


CAD FILE:



SCHEMATIC (NON-SHORTING)



P.C.B LAYOUT

11	CONTACT CLIP	PBS	8	Ag CLAD
10	SLIDER	POM	1	BLACK
9	SPRING	STEEL WIRE	1	TEMPER
8	RIVET	COPPER	2	Ni PLATED
7	STEEL BALL	STEEL	1	NATURAL
6	TERMINAL	BRASS STRIP	40	Ag PLATED OVER Ni PLATED
5	BASE	PHENOLIC RESIN	1	NATURAL
4	POSITION PLATE	POM	1	BLACK
3	STEEL KNOB	STEEL STRIP	1	Ni PLATED
2	KNOB	POM	1	BLACK
1	FRAME	STEEL STRIP	1	Ni PLATED
NO.	PART NAME	MATERIAL	Q'TY	FINISHING

注:带"\*"表示关键尺寸(7个)

TOLERANCE UNLESS SPECIFIED		SHENZHEN XIEJIA ELECTRONICS CO.,LTD.			
WITHIN: 1.5±0.1mm		ISSUE	DATE	DESCRIPTIONS	APPD.
OVER : 1.5±0.2mm		TITLE : TOGGLE SWITCH		UNIT : MM	DRWG NO.: XJ-DR-LS83E01-00
		MODEL: LS-83E01		SCALE: 1:1	DWN. ZHOUYU 2004-6-12
		ALL MATERIALS MUST BE COMPLIANT TO ROHS			CHK'D FANGYING 2004-6-12
					APPD. KANGXINAN 2004-6-12